

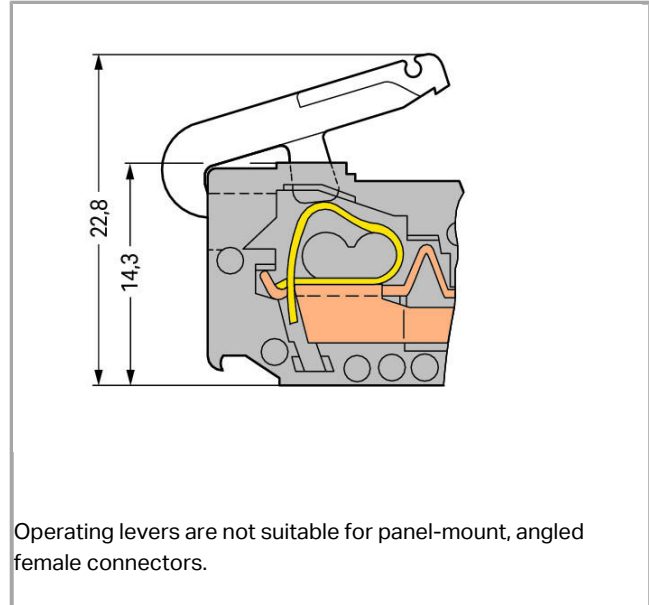
231-291



RoHS Compliant

[BOMcheck.net](https://www.bomcheck.net)

Color: ■



Data

Technical Data

Main product function	Operating tool
Spacing	1 -way

Geometrical Data

Pin spacing	5/7.62 mm
-------------	-----------

Material Data

Weight	0.336 g
--------	---------

Commercial data

Product Group	3 (Multi Conn. System)
Country of origin	DE
GTIN	4045454830090

Customs Tariff No.

82055980000

Compatible products

Marking accessories



Item no.: 210-833

Marking strips; on reel; 6 mm wide; plain; Self-adhesive

210-833



Item no.: 210-834

Marking strips; on reel; 5 mm wide; plain; Self-adhesive

210-834

Downloads

CAD/CAE - Smart Data

CAD data

3D Download 231-291

URL

Download

Subject to changes.
